

Back Pressure Regulators

BPR-3 Series Back Pressure Piston Regulators

Features

- ⦿ Control of back-pressure up to 10000 psig for gas or liquid application
- ⦿ Safe and reliable piston sensing
- ⦿ 7 pressure control ranges
- ⦿ Panel mounting available
- ⦿ Special cleaning and packaging available for application in oxygen-enriched environments

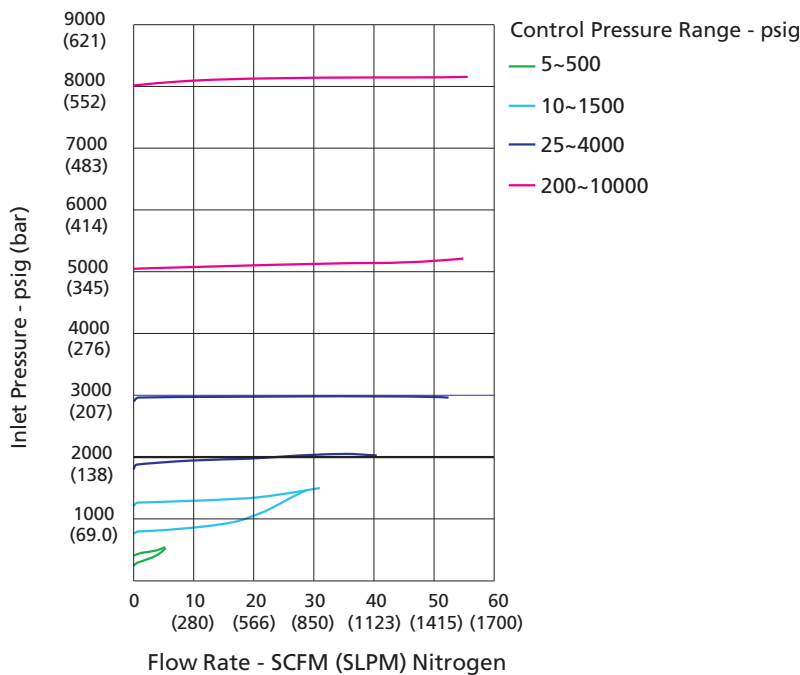
Technical Data

- ⦿ Maximum control pressure:
Stainless steel: 10000 psig
Brass: 6000 psig
- ⦿ Pressure control ranges: 5~500, 5~800, 10~1500, 15~2500, 25~4000, 50~6000, 200~10000 psig
- ⦿ Material of the main components:
Body: 316 SS or brass
Seat: PEEK
Piston: 316L
O-rings: Viton or Kalrez
- ⦿ Temperature: -15°F~+165°F (-26°C~+74°C)
- ⦿ Leak rates:
Internal: Bubble-tight
External: Bubble-tight
- ⦿ Flow coefficient (Cv): 0.25
- ⦿ Weight(regulator): ≈5.7 lbs (2.6 Kg)
- ⦿ Body ports: 1/4" female NPT for inlet, outlet, and gauge



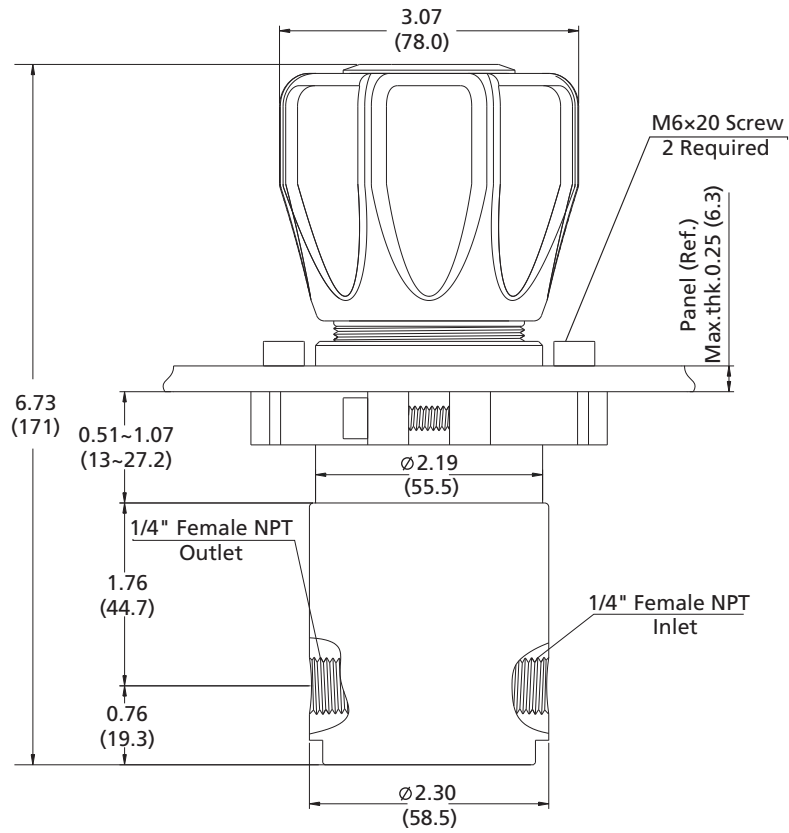
Model: BPR-3SS-40-00-00-Z

Typical Flow Chart

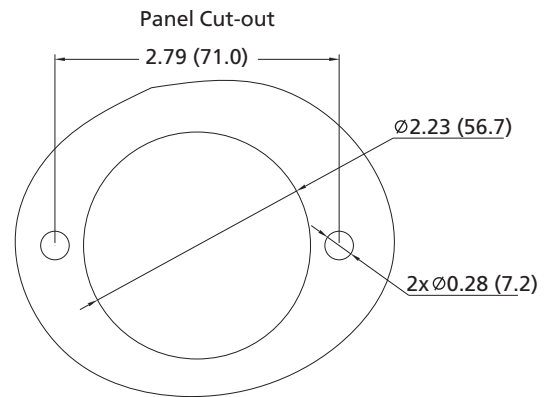
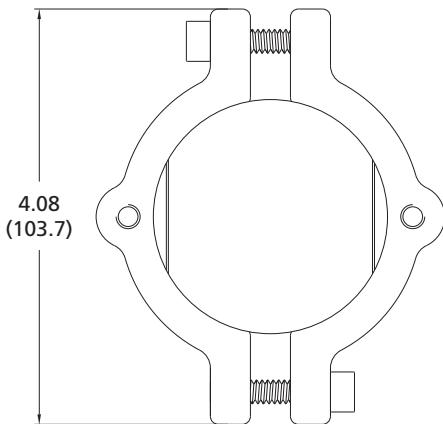


Dimensions

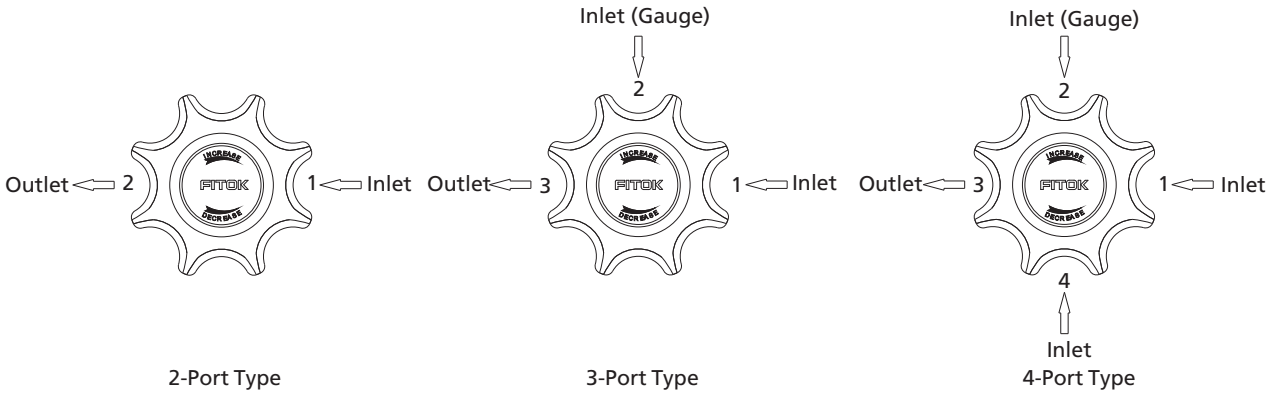
Dimensions, in inches (millimeters), are for reference only.



Bottom View



Port Configurations



Part Number Description

Body Material	Pressure Control Range P	Connection 1	Connection 2	Connection 3	Connection 4	Panel Mount	Product Technology Grade
SS 316 SS	5 5~500 psig	00 1/4" Female NPT	B With Gauge (psi/bar)	Same as Connection 1	Same as Connection 1	Without	General Purpose
6L 316L SS	8 5~800 psig	01 1/4" Male NPT	M With Gauge (MPa)			z With	
B Brass (Max. Control Pressure 6000 psig)	15 10~1500 psig	10 1/4" Tube Fitting	P Plug				
	25 15~2500 psig	11 3/8" Tube Fitting	00 1/4" Female NPT				
	40 25~4000 psig	20 6 mm Tube Fitting	01 1/4" Male NPT				
	60 50~6000 psig	21 8 mm Tube Fitting	10 1/4" Tube Fitting				
Z Kalrez	100 200~10000 psig	Other connections are available upon request	11 3/8" Tube Fitting				
			20 6 mm Tube Fitting				
			21 8 mm Tube Fitting				
			Other connections are available upon request				

Examples of part number:

a. 2-Port type (1 in, 1 out): BPR-3B-25-00-00

b. 3-Port type (2 in, 1 out): BPR-3B-40-00-M-00

c. 4-Port type (3 in, 1 out): BPR-3B-60-00-M-00-00